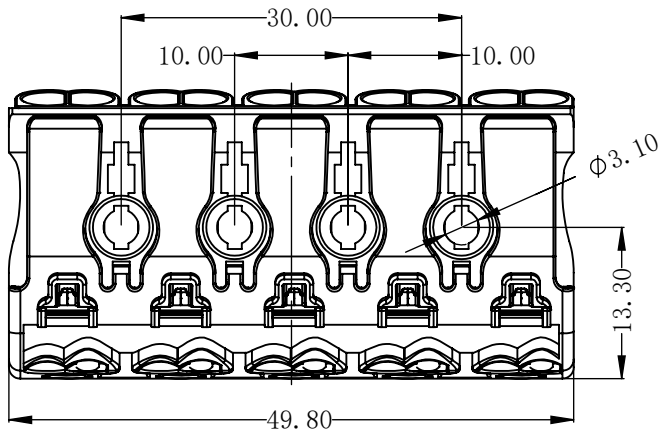
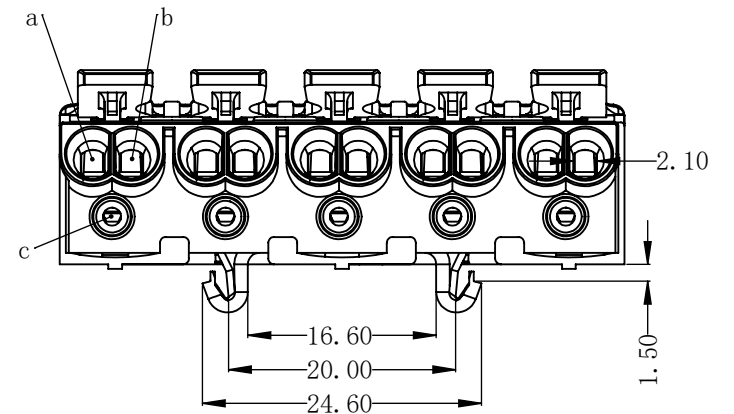
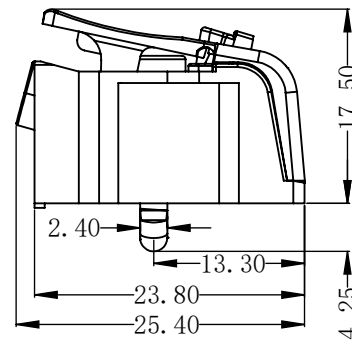
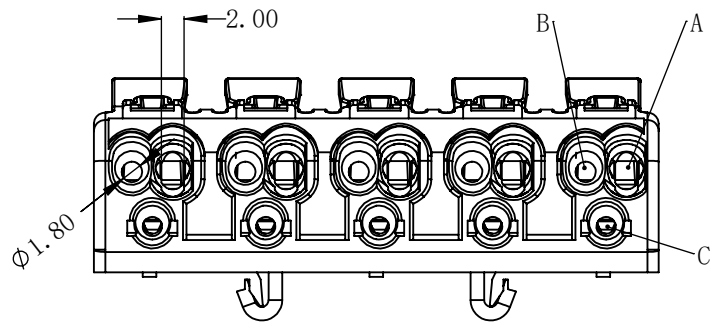
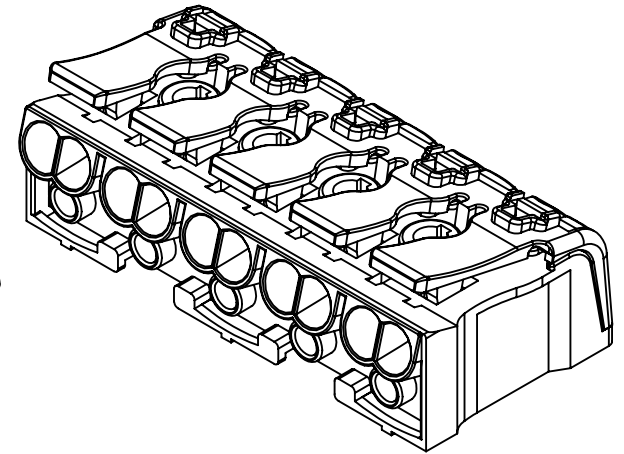
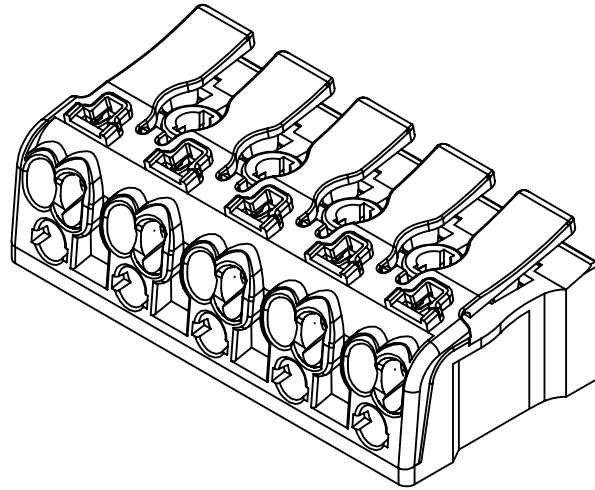
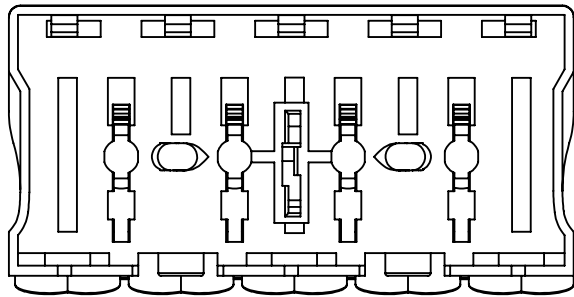


SERIAL NUMBER: Q/KR. C09-05-186

JIANGMEN KREALUX ELECTRICAL APPLIANCES CO., LTD				MODEL NO: P02-5			
DRAWN		DATE		EDITION	A	SCALE	1.5:1



SERIAL NUMBER: Q/KR. C09-05-186

JIANGMEN KREALUX ELECTRICAL APPLIANCES CO., LTD			MODEL NO: P02-5J			
DRAWN	DATE	EDITION	A	SCALE	1.5:1	