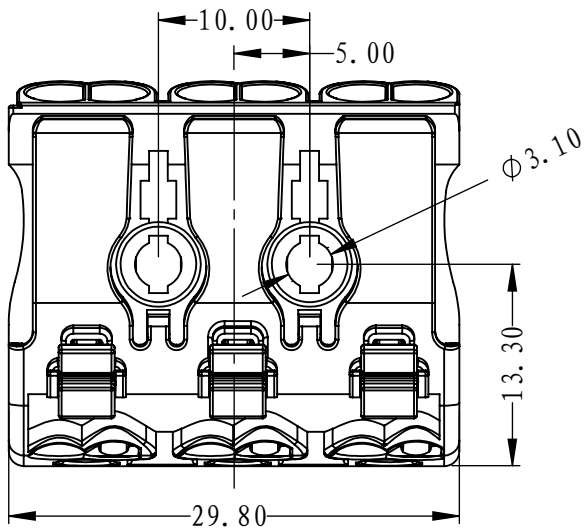
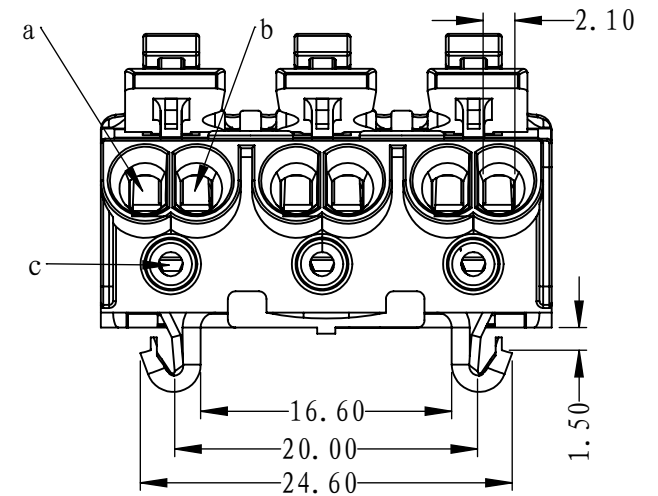
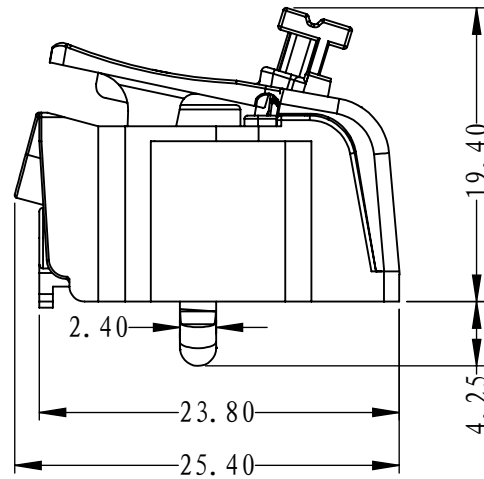
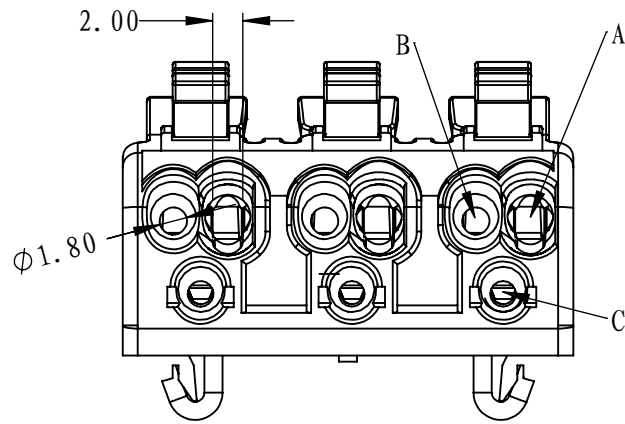
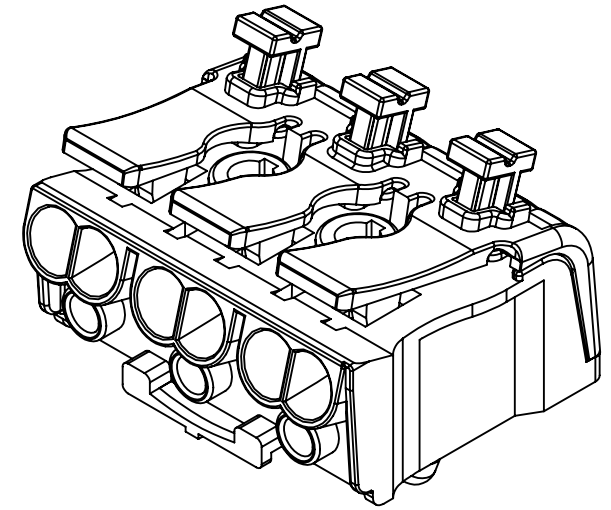
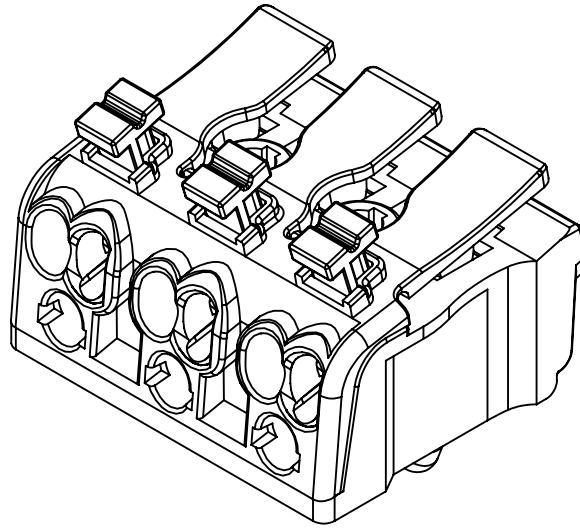
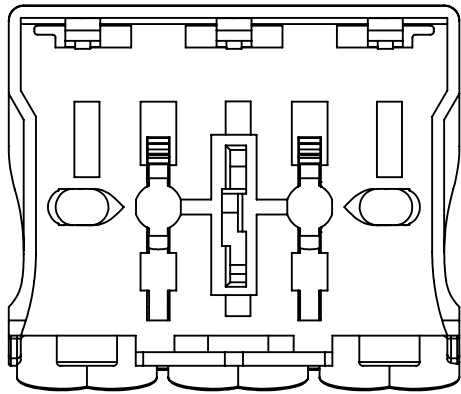


SERIAL NUMBER: Q/KR.C09-05-186

JIANGMEN KREALUX ELECTRICAL APPLIANCES CO., LTD				MODEL NO: P02-D3			
DRAWN		DATE		EDITION	A	SCALE	2:1



SERIAL NUMBER: Q/KR.C09-05-186

JIANGMEN KREALUX ELECTRICAL APPLIANCES CO., LTD			MODEL NO: P02-D3J			
DRAWN	DATE	EDITION	A	SCALE	2:1	