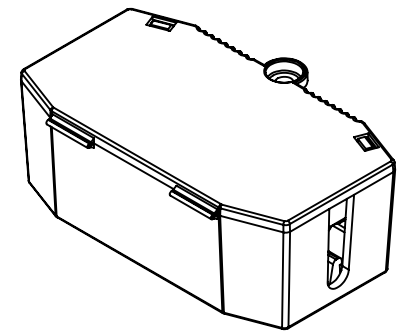
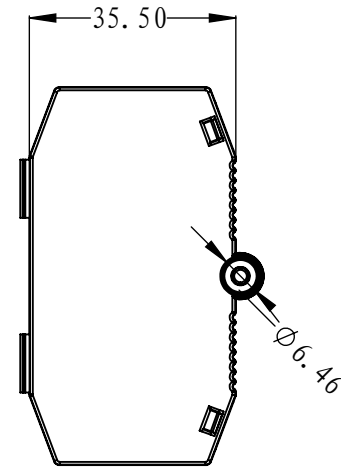


打开状态



闭合状态

SERIAL NUMBER: Q/KR.C09-05-186

JIANGMEN KREALUX ELECTRICAL APPLIANCES CO., LTD				MODEL NO: 405			
DRAWN		DATE		EDITION	A	SCALE	2:1